


PRESSURE TRANSDUCER, 0.1% ACCURATE, FOR HIGH TEMPERATURES, ATEX

DA

Description	Pressure transducer in compact and robust stainless steel housing with piezo-resistive measuring element. Factory-made calibration of zero point and range is possible.
Media	compressed air, non-corrosive gases or liquids
Overpressure	max. 3x full scale, min. 3 bar, for DAA-D4/D6 max. 850 bar and DAA-E1 max. 1500 bar
Supply voltage	9...33 V DC at current signal, 15...30 V DC at voltage signal, residual ripple 5%, reverse voltage protection, short-circuit-proof
ATEX version	only current signal 10...30 V DC, max. 1 W, as per EN 50.014 / EN 50.020: 1974 A1...A5, ATEX 2640-1
Electrical connector	plug according to DIN 43650, with coupling socket
Output signal	4...20 mA: max. power consumption 260 mW, 0...10 V: max. power consumption 50 mW
Linearity/Hysteresis	< 0.1% FS
Temperature sensitivity	Repeatability < 0.1% FS Long-term stability < 0.1% FS, < 0.5% FS at version up to 500 mbar
Response time	< 0.02% FS per °C/K, < 0.06% FS at version up to 2 bar per °C/K, at range of 0 °C to 70 °C / 32 °F to 158 °F
Vibration resistance	1 ms for 10...90% of pressure range
Mounting position	any
Material	Body/Diaphragm: stainless steel 316L, material no. 1.4435 O-rings: FKM, optionally EPDM



-1...1000 bar, accurate to 0.1 %
compressed air or gases

Dimensions			Accuracy	Measurement range	Order number	Measurement range	Order number
B	Ø	A/F	%	mbar/bar	4-20 mA	mbar/bar	4-20 mA
mm	mm	mm					

Pressure transducer				G½ male, SST, overpressure with angular coupling socket, 4-20 mA		DA	
73	24	27	0.1	0... 50 mbar	DAA-B5H		
				0... 100 mbar	DAA-C1H		
				0... 160 mbar	DAA-C2H	0... 10 bar	DAA-10H
				0... 250 mbar	DAA-C3H	0... 16 bar	DAA-16H
				0... 400 mbar	DAA-C4H	0... 25 bar	DAA-25H
				0... 600 mbar	DAA-C6H	0... 40 bar	DAA-40H
				0... 1.0 bar	DAA-01H	0... 60 bar	DAA-60H
				0... 1.6 bar	DAA-02H	0... 100 bar	DAA-D1H
				0... 2.5 bar	DAA-03H	0... 160 bar	DAA-D2H
				0... 4.0 bar	DAA-04H	0... 250 bar	DAA-D3H
				0... 6.0 bar	DAA-06H	0... 400 bar	DAA-D4H
						0... 600 bar	DAA-D6H
73	24	27	0.5			0... 1000 bar	DAA-E1



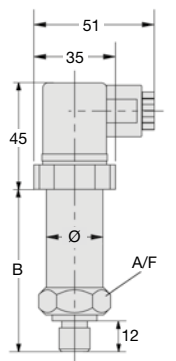
DAA-C1H



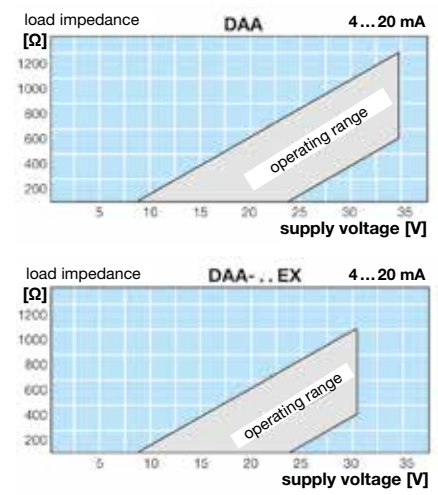
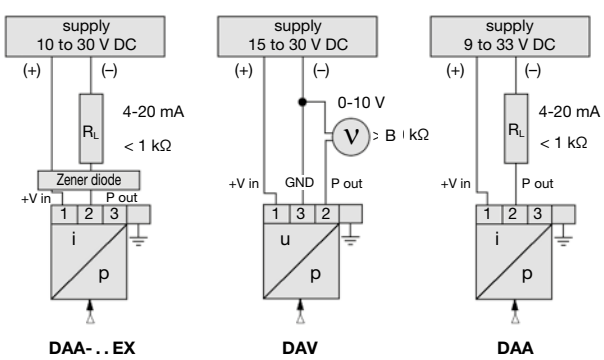
DA-..T

Special options, add the appropriate letter or number

0-10 V output signal	not for Ex ATEX version	DAV-..
deviant measurement range	to be indicated on order	DA-..XX
absolute pressure range	from 50 mbar on	DA-..A
vacuum	0...-1 bar	DA-..V
Ex-Atex version	Ex II 1G Ex ia IIC T6	4...20 mA only
0.25 % linearity	for 100 mbar up to 600 bar	DAA-..EX
	for 1000 bar	DA-..G
		DA-..E1G
-25 to +100 °C/-13 to 212 °F	media temperature compensated up to 85 °C / 185 °F / T4	DA-..S
-25 to +150 °C/-13 to 302 °F	media temperature compensated up to 85 °C / 185 °F / T3	DA-..T
flush-mounted diaphragm	connection thread G½, also for vacuum, up to 600 bar	DA-..F
G½ male	connection thread	DA-..04
EPDM elastomer		DA-..E
silicone-free oil-refill		DA-..X32



version	B (mm)
standard	73
standard 150 °C	100
Ex	122
Ex, T3	149



* Product group